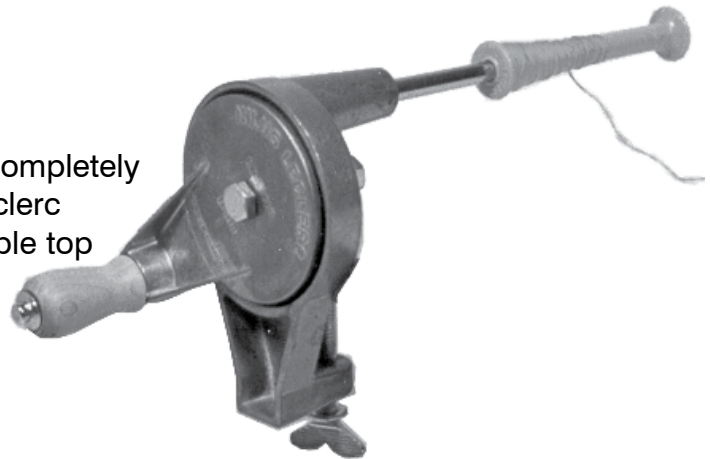


BOBBIN WINDERS

HAND BOBBIN WINDER

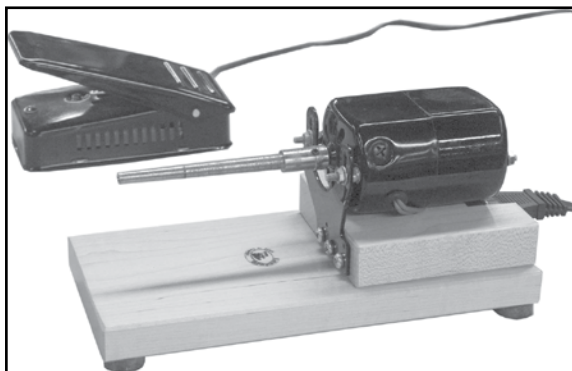
IMPROVED AGAIN this year!

A light but strong hand bobbin winder with completely covered gear. Tapered plated shaft for all Leclerc bobbins and Leclerc Spools. Clamps to a table top up to 1½" thick. Set on special permanent greased bushing. Turning ratio: 1/7.5
Wood handle



6331-1000

\$137.00

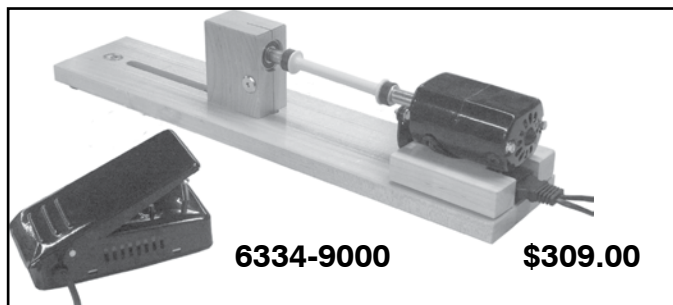


ELECTRIC BOBBIN WINDER

With a tapered shaft to be used on regular Leclerc 4" (10 cm) bobbins, 6" (15 cm) bobbins, and Leclerc spools.
Foot operated speed control.

6334-1000

\$238.00

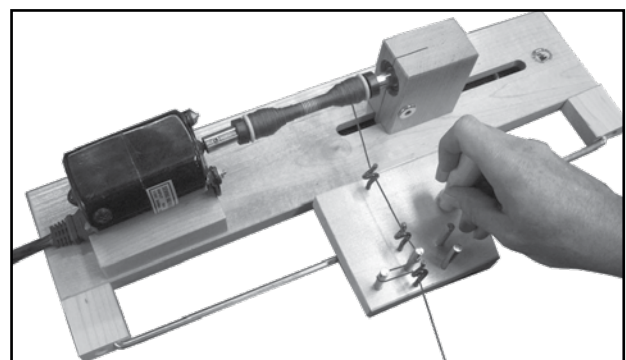


6334-9000

\$309.00

ELECTRIC BOBBIN WINDER

Holds both ends of bobbins, spools or pirns. Designed for bobbins, spools or pirns of any length between 2.75" to 8" (25 mm to 20 cm).
Foot operated speed control



With the tension device
6334-9002 \$430.00

Tension device alone for existing winder
6334-9003 \$177.00

With the tension device and the counter (Yard or Meter)

6334-9001
\$501.00

