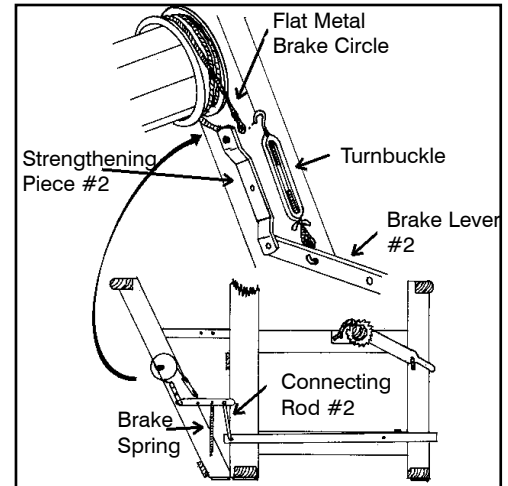
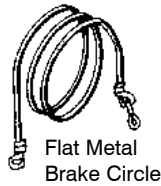
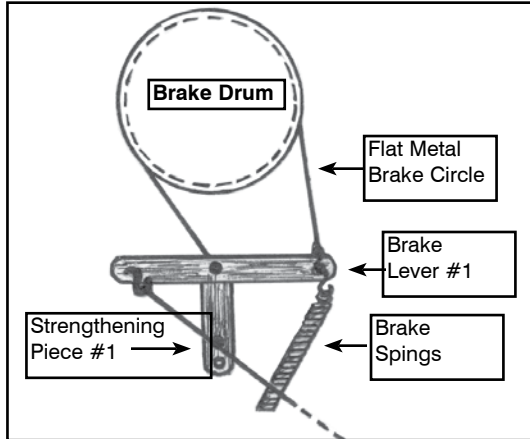


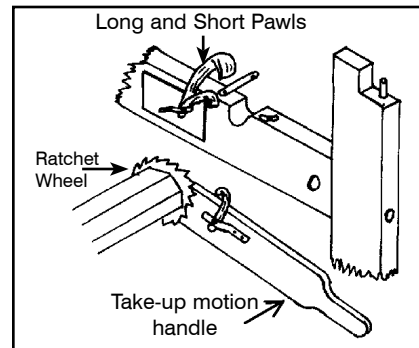
# REPAIR PARTS



3000-4701	Brake circle for most looms (Artisat, Mira, Fanny, Nilus, Nilus II Colonial Nilart and Weavebird)	\$30.00
1400-0000	Brake Circle for Old Minerva / Meco & Dorothy	\$27.00
1400-0001	New brake cable Dorothy, Voyageur.....	\$27.00
1400-0002	New brake cable Compact .....	\$27.00
3000-5884	Brake spring	\$12.00
4720-0000	Brake lever #1 (4")	\$ 7.90
4720-0001	Brake lever #2(9.75")	\$16.75
4719-0000	Stre. piece #1	\$11.00
4779-0000	Stre. piece #2	\$11.00
4789-0000	Connecting rod#2	\$14.50
5874-0000	Turnbuckle	\$15.00
1113-0000	White Pulley with screw	\$3.70

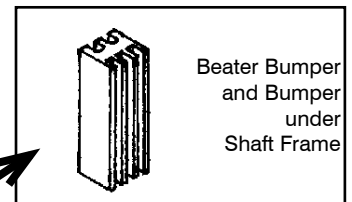
## TAKE-UP MOTION WITH RATCHET PAWL:

1022-2802	For Compact 24" (NEW)	\$43.00
1009-2802	For Artisat 36"	\$61.00
3672-0000	For Mira, Fanny, Nilus and Nilus II Colonial, Nilart and Weavebird	\$97.00



3060-0000	Ratchet Pawl for take-up motion handle	\$32.00
3070-0000	Long ratchet pawl for cloth beam	\$39.00
3071-0000	Short ratchet pawl for cloth beam	\$37.00
3080-0000	Ratchet wheel for cloth beam	\$83.00

3000-9229	Beater Bumper (set of 2)	\$ 6.50 each
3000-9233	Bumper under shaft frame 4s loom	\$ 8.30 each
3000-9230	Bumper under shaft frame 8s loom	\$ 10.00 each



3020-0000	Plain Wheel for front or back beam	\$ 67.00
3030-0000	Brake drum Mira, Fanny, Nilus, Nilus II, Colonial and Nilart	\$182.00
3110-0000	Brake drum for Artisat	\$182.00



0342-7101	Polyvinyl non-skid base for floor looms	\$ 4.00 each
-----------	---	--------------

