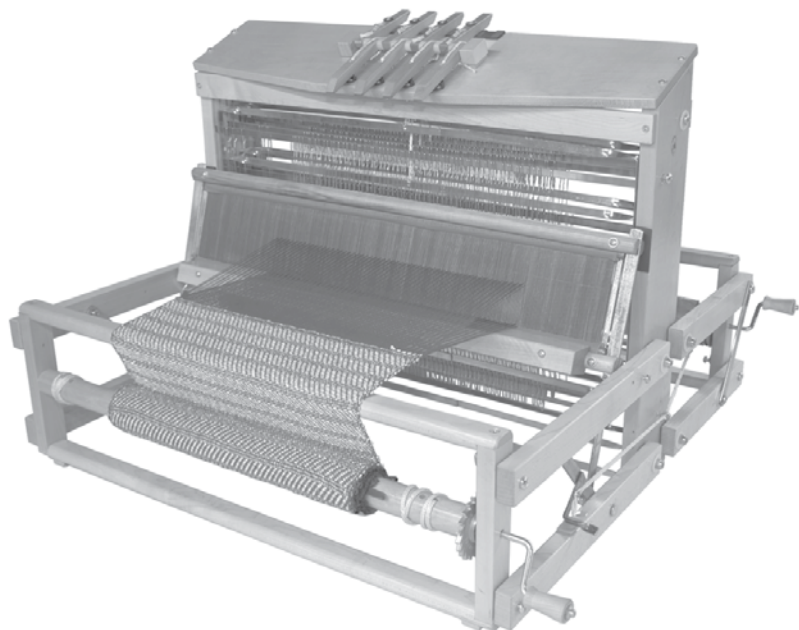


VOYAGEUR 24" - 4, 8, 12 or 16s



4s - 2124-0424 \$1260.00

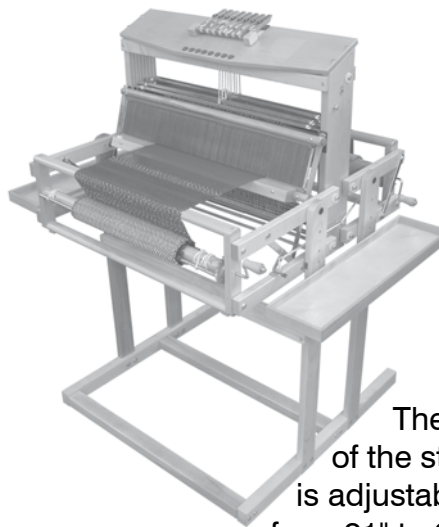
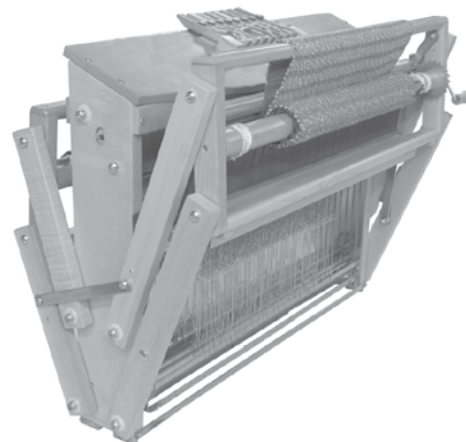
8s - 2124-0824 \$1407.00

12s - 2124-1224 \$1533.00

16s - 2124-1624 \$1916.00

STANDARD EQUIPMENT

- » Stainless Steel Reed, 12 dents/inch
- » 1 boat shuttle 6122-0000
- » 1 reed and heddle hook 6141-7000
- » 2 metal lease sticks
- » 10 loop cords for lashing
- » Transfer heddle Bars
- » Instructions
- » Book "Warp and Weave"



The height of the stand is adjustable from 21" to 27³/₄"

SPECIFICATIONS & DIMENSIONS

No. of shafts	4s	8s	12s	16s
Weaving width	24 ³ / ₄ " - 60 cm			
Quantity of heddles	600			
Loom width	28 ¹ / ₂ " (without the crank)			
Depth	26 ³ / ₄ "	27 ³ / ₄ "	30"	31 ¹ / ₂ "
Height	21"			
Net weight	25 lbs	29 lbs	33 lbs	39 lbs
Dimensions when folded	28.5" w 11.25" d 20.5" h	28.5" w 12.25" d 20.75" h	28.5" w 14.5" d 21" h	28.5" w 17" d 22" h
Double Warp Beam 24"	6432-1100 \$380.00			
Stand with side shelves	6313-2024 \$546.00			
Stand without side shelves	6313-2009 \$420.00			

In 1998 we at Leclerc designed and introduced the totally new concept Voyager following the demands from the field for an 8s workshop loom with front Levers and easy portability. The loom proved to be an immediate success. Following the initial 8s model, Leclerc followed with a 4s and 12s model.

Continuing our policy of leading edge technical design and development, for 2006 Leclerc introduces the 24" 4s, 8s and 12s models with features most favored by handweavers worldwide.

- Leclerc's time proven micro advance Friction Brake allowing uninterrupted weaving and cloth advance rhythm.
- A full 9 3/4" weaving space from Shafts to Breast Beam providing maximum weave time to cloth advance ratio.
- Solid Canadian Maple Castle and Frame Sides.
- A new and unique compact folding technique

In addition we have designed a matching Table with stability and functionality that allows the weaver to focus on weaving. For those who prefer even greater versatility, the Swinging Beater is also available in a Kit for 2120-0924 \$95. The Beaters can be interchanged in a few minutes.

