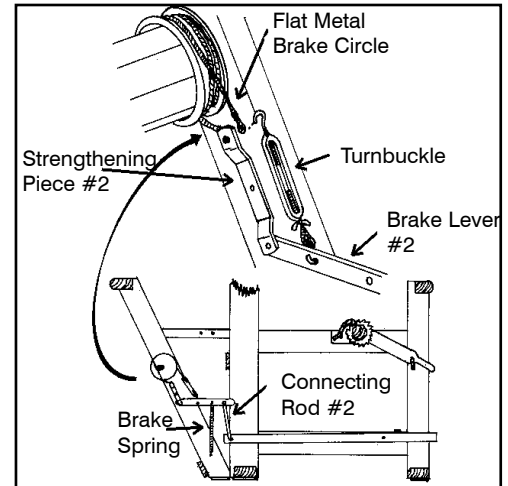
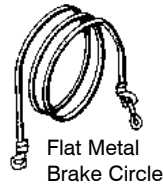
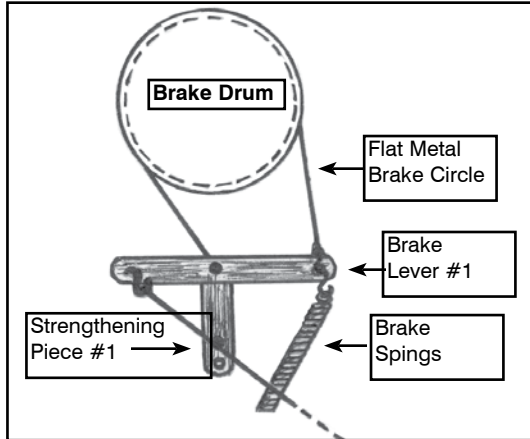


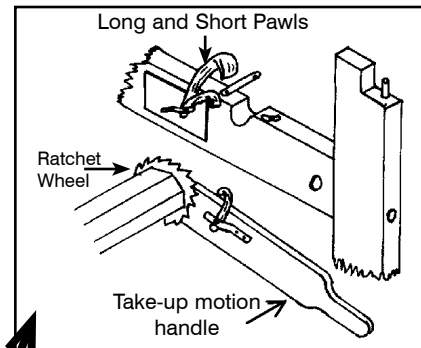
REPAIR PARTS



3000-4701	Brake circle for most looms (Artisat, Mira, Fanny, Nilus, Nilus II Colonial Nilart and Weavebird)	\$24.75
1400-0000	Metal Brake Circle for Dorothy, Voyageur and Compact Loom	\$21.50
3000-5884	Brake spring	\$10.25
4720-0000	Brake lever #1	\$ 7.00
4720-0001	Brake lever #2	\$15.00
4719-0000	Stre. piece #1	\$ 9.00
4779-0000	Stre. piece #2	\$ 9.00
4789-0000	Connecting rod#2	\$12.50
5874-0000	Turnbuckle	\$13.75
1113-0000	White Pulley with screw	\$3.25

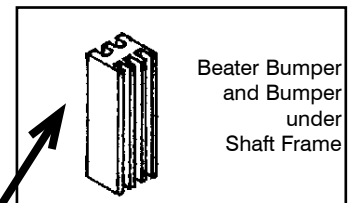
TAKE-UP MOTION WITH RATCHET PAWL:

1022-2802	For Compact 24" (NEW)	\$26.75
1009-2802	For Artisat 36"	\$42.75
3672-0000	For Mira, Fanny, Nilus and Nilus II Colonial, Nilart and Weavebird	\$77.00



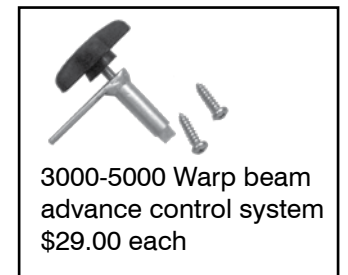
3060-0000	Ratchet Pawl for take-up motion handle	\$27.00
3070-0000	Long ratchet pawl for cloth beam	\$33.00
3071-0000	Short ratchet pawl for cloth beam	\$31.00
3080-0000	Ratchet wheel for cloth beam	\$71.00

3000-9229	Beater Bumper (each)	\$ 5.90 each
3000-9233	Bumper under shaft frame 4s loom	\$ 7.75 each
3000-9230	Bumper under shaft frame 8s loom	\$ 9.65 each



3020-0000	Plain Wheel for front or back beam	\$ 58.00
-----------	------------------------------------	----------

3030-0000	Brake drum Mira, Fanny, Nilus, Nilus II, Colonial and Nilart	\$123.00
3110-0000	Brake drum for Artisat	\$112.00



3000-5000 Warp beam advance control system \$29.00 each

0342-7101	Polyvinyl non-skid base for floor looms	\$ 4.00 each
-----------	---	--------------

