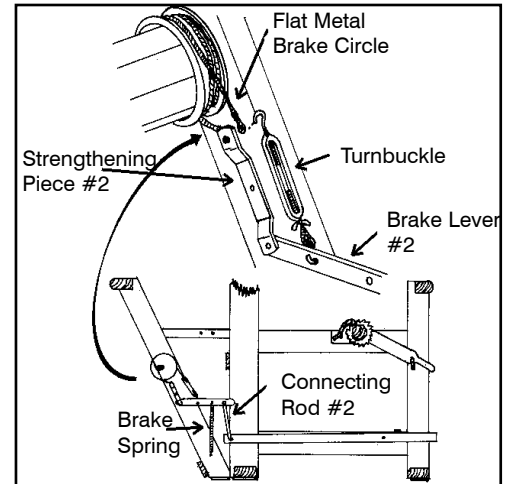
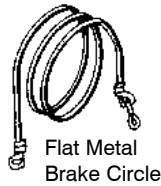
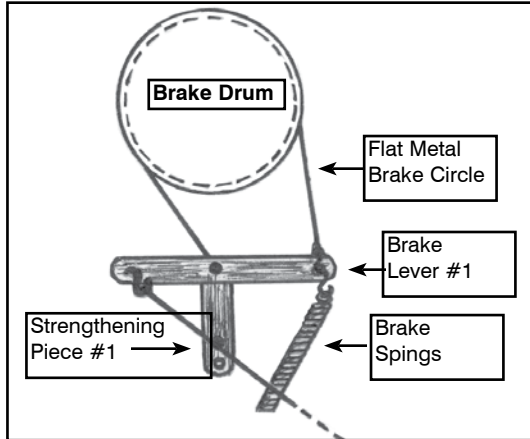


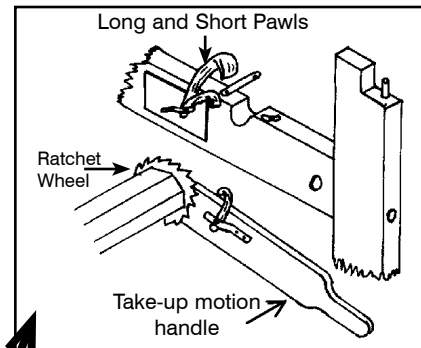
REPAIR PARTS



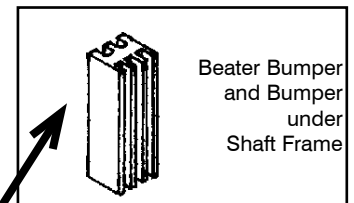
3000-4701	Brake circle for most looms (Artisat, Mira, Fanny, Nilus, Nilus II Colonial Nilart and Weavebird)	\$23.00
1400-0000	Metal Brake Circle for Dorothy, Voyageur and Compact Loom	\$20.00
3000-5884	Brake spring	\$9.50
4720-0000	Brake lever #1	\$6.45
4720-0001	Brake lever #2	\$14.00
4719-0000	Stre. piece #1	\$8.25
4779-0000	Stre. piece #2	\$7.95
4789-0000	Connecting rod#2	\$11.75
5874-0000	Turnbuckle	\$12.75
1113-0000	White Pulley with screw	\$3.00

TAKE-UP MOTION WITH RATCHET PAWL:

1022-2802	For Compact 24" (NEW)	\$25.00
1009-2802	For Artisat 36"	\$39.95
3672-0000	For Mira, Fanny, Nilus and Nilus II Colonial, Nilart and Weavebird	\$72.00



3060-0000	Ratchet Pawl for take-up motion handle	\$25.00
3070-0000	Long ratchet pawl for cloth beam	\$31.00
3071-0000	Short ratchet pawl for cloth beam	\$29.00
3080-0000	Ratchet wheel for cloth beam	\$66.00



3000-9229	Beater Bumper (each)	\$ 5.50 each
3000-9233	Bumper under shaft frame 4s loom	\$ 7.25 each
3000-9230	Bumper under shaft frame 8s loom	\$ 9.00 each



3020-0000	Plain Wheel for front or back beam	\$54.00
-----------	------------------------------------	---------

3030-0000	Brake drum Mira, Fanny, Nilus, Nilus II, Colonial and Nilart	\$115.00
3110-0000	Brake drum for Artisat	\$105.00

0342-7101	Polyvinyl non-skid base for floor looms	\$ 3.70 each
-----------	---	--------------

